

140 W Fiber-Coupled Diode Pump Laser Module

ST Series



The ST Series fiber-coupled diode pump module offers up to 140 W output through a 106.5 μm fiber. It uses a high-power proprietary chip optimized for reliability at high peak power. The ST Series leverages a long history of fiber-coupled packages such as the L4, incorporating a highly-reliable design in a scalable commercial product.

The multimode pump module offers high brightness, small size, and simplified thermal management. Similar to the Lumentum L4 package, the diodes operate independently as distributed heat sources, allowing air- or water-cooled architectures with predictable high reliability.

The ST Series is a unique solution for the fiber-coupled pump-laser market, offering powerful technical attributes in a cost-effective package.

Key Features

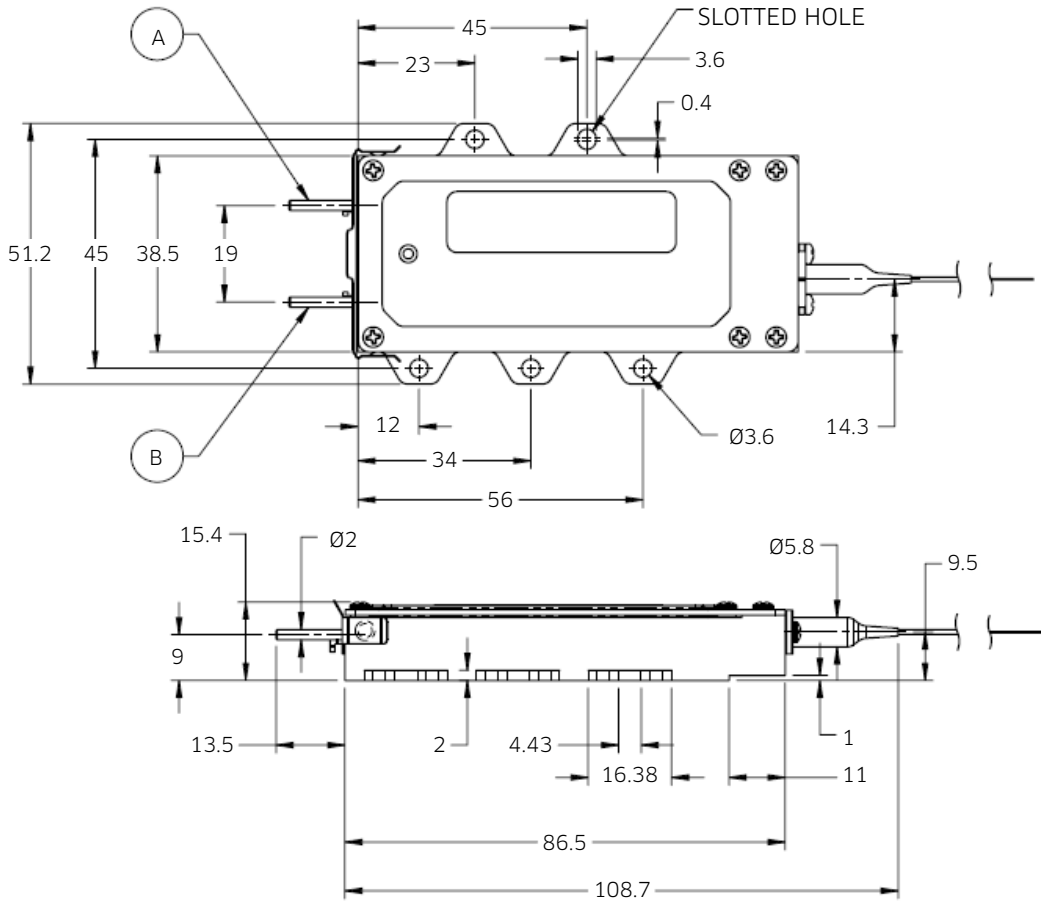
- 140 W output power into 106.5 μm aperture
- High reliability
- 1060 nm feedback protection
- 0.22 numerical aperture (NA) fiber
- Isolated electrical contacts

Applications

- Fiber laser pumping
- Material processing
- Graphic arts

Dimensions Diagram

(Specifications in mm unless otherwise noted.)



Pinout

Pin	Description
A	Laser cathode (-)
B	Laser anode (+)

Specifications¹

Parameter	Symbol	Minimum	Typical	Maximum
Laser Characteristics at 140 W Output Power				
Maximum operating current set point (BOL)	I_{op} , BOL	—	—	13.0 A
Maximum operating voltage at $I = 13$ A (BOL)	V_{op} , max	—	—	25.0 V
Electrical-to-optical conversion efficiency at I_{op} , BOL set point	PCE (140 W) PCE (120 W)	42% 36%	48% 41%	— —
Wavelength range at I_{op} (98% of power within band)	λ λ	908 nm 928 nm	— —	928 nm 950 nm
Wavelength shift with temperature		—	0.3 nm/°C	—
Back reflection isolation 1060-1100nm		30 dB	—	—
Light within 0.15 NA		—	95%	—
Fiber Characteristics				
Fiber core diameter (Nufern P/N FUD-4130)	d_c	105 μ m	106.5 μ m	108 μ m
Fiber numerical aperture	NA	0.20	0.22	0.24
Fiber cladding diameter	d_{cl}	124 μ m	125 μ m	126 μ m
Fiber buffer diameter	d_b	230 μ m	245 μ m	260 μ m
Fiber loose tubing diameter	d_j	0.75 mm	—	1.05 mm
Total fiber length	L_f	1.2 m	—	2.0 m
Fiber loose tubing length	L_t	0.7 m	—	0.9 m
Fiber bend radius		30 mm	—	—
Fiber termination		—	None	—
Fiber axial pull force, 15 sec		—	—	5 N
Fiber side pull force, 15 sec		—	—	2.5 N

1. All electrical and optical performance data referenced at 35°C (case temperature) and I_{op} beginning of life (BOL), unless specified.

Note:

cold plate typically needs to be chilled to 25°C-30°C to maintain 35°C pump case temperature.

Environmental Requirements

Parameter	Minimum	Maximum	Notes
Case operating temperature (base of laser housing)	10°C	50°C	Mounting feet can be used to approximate base temperature.
Storage and transportation temperature (non-operating)	-30°C	75°C	Non-condensing under operation and storage.
Electrostatic discharge (ESD)	—	500 V	HBM
Maximum voltage between any pin and package	—	75 V	
RoHS			Compliant

Ordering Information

For more information on this or other products and their availability, please contact your local Lumentum account manager or Lumentum directly at customer.service@lumentum.com.

Sample: 22015032

Part Number	Power	Wavelength
22015032	140 W	908 nm - 928 nm
22022513	140 W	928 nm - 950 nm
22026256	120 W	908 nm - 928 nm
22026255	120 W	928 nm - 950 nm

Operating Considerations

Operating the diode laser outside at maximum ratings may cause device failure or a safety hazard. Power supplies used with the component must be employed so that the maximum peak optical power cannot be exceeded. CW diode lasers may be damaged by excessive drive current or switching transients. When power supplies are used, the diode laser should be connected with the main power on and the output voltage at zero. The current should be increased slowly while the diode laser output power and the drive current are monitored.

Device degradation accelerates with increased temperature, and thus the case temperature should be minimized and the unit operated in a non-condensing atmosphere.

A proper heatsink for the diode laser on a thermal radiator will greatly enhance laser life. Refer to the product application note for more information regarding heat sinking and mounting the product.

Electrostatic Discharge (ESD) Protection

ESD is the primary cause of unexpected diode-laser failure. Take extreme precaution to prevent ESD. Use wrist straps, grounded work surfaces, and rigorous antistatic techniques when handling diode lasers.

Laser Safety



Note: This component requires provisions of drive and control electronics before emitting laser radiation.

Laser classification depends on the system control circuit and laser safety features provided.

This diode-pumped laser module is not 21CFR 1040.10 or IEC 60825-1:2014 certified. It is a component intended for system integration. Compliance with 21CFR 1040.10 and/or IEC 60825-1:2014 will need to be determined at the system level.

Lumentum has registered this laser with the FDA/CDRH as an OEM component. Please contact Lumentum for an FDA/CDRH accession number for this laser component.

Serial Number Identification Label



ST-915B

10/16/2018
MADE IN THAILAND

S/N: 

ST-FXS334

P/N: 
22015032



North America
Toll Free: 844 810 LITE (5483)

Outside North America
Toll Free: 800 000 LITE (5483)

China
Toll Free: 400 120 LITE (5483)

© 2025 Lumentum Operations LLC
Product specifications and descriptions in this document are subject to change without notice.